

## ZL-1910 *Zwei L* Stainless Steel Knob

### Features

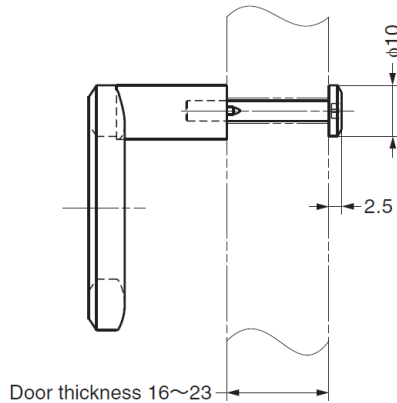
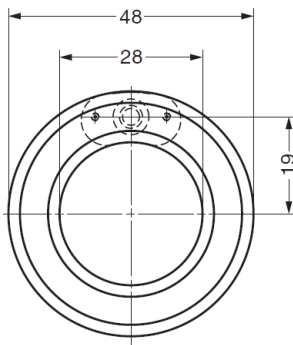
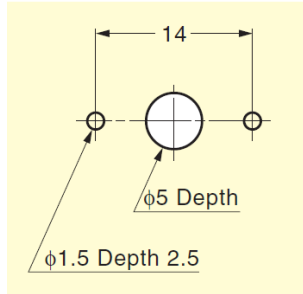
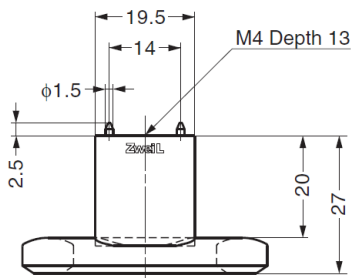
- Superior "Zwei L Finish" - *Zwei L* represents the very pinnacle of ultra-premium Japanese hardware design. The contrasting bands of mirror finish and lustrous satin on a faceted profile give a jewel like finish that highlights and enhances any industrial design

### Parts Included

- Truss head screw M4×28 (SUS)



### Cut Out Dimensions



Part No.	Material	Finish
ZL-1910	Stainless Steel 316	Zwei L Finish